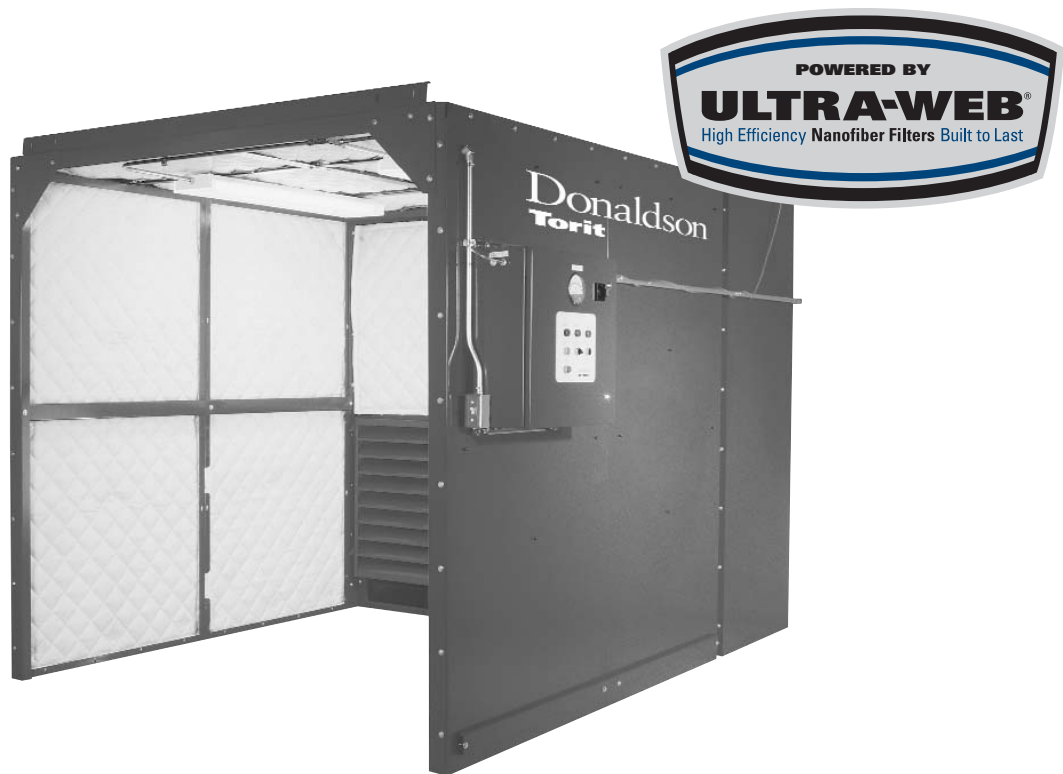


# Environmental Control Booth

## Models ECB-2, ECB-3, & ECB-4

A self-contained workstation with high filtration efficiency, built-in lighting, soundproofing, and low maintenance requirements.



**ECB-2**

### Powerful

- The Ultra-Web® filter cartridge, featuring nanofiber technology, provides high filtration efficiency and long filter life.
- Choice of filter cartridges provides high filtration efficiency for a wide variety of dust types.

### Flexible

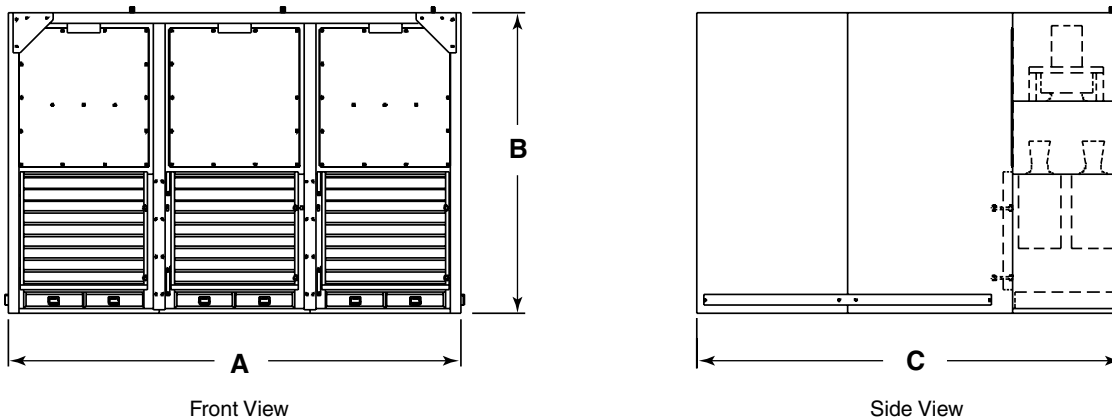
- Booth design gives workers complete freedom of movement and improved vision.
- Modular, compact design permits proper sizing for each application.

### Cost Effective

- Removes fine airborne dust from multiple sources.
- Provides a clean working environment for maximum productivity.
- Recirculates clean air, eliminating need for costly make-up air.
- Requires no ductwork, reducing installation costs.
- Excellent dust filtration capabilities reduce mechanical and electrical failures caused by airborne dust.

# Environmental Control Booth

## Dimensions & Specifications



Model	A	B	C
Power Module Only	45.0	90.0	34.5
ECB-2	90.1	90.0	128.9
ECB-3	135.1	90.0	128.9
ECB-4	180.8	90.0	128.0

All dimensions in inches and for reference only.

Model	Nominal Airflow* (cfm)		No. of Cartridges	Filter Area Ultra-Web® (ft²)	Average Face Velocity (fpm)		No. of Valves	Shipping Weight (lbs)	Compressed Air Pressure (psig)
	High Flow	Low Flow			High Flow 5 hp Fan	Low Flow 3 hp Fan			
Power Module Only	4,500	3,000	6	1070	-	-	3	750	90
ECB-2 (2 Pwr Mods)	9,000	6,200	12	2040	160	110	6	2700	90
ECB-3 (3 Pwr Mods)	13,500	9,300	18	3060	160	110	9	3900	90
ECB-4 (4 Pwr Mods)	18,000	12,400	24	4080	160	110	12	5100	90

\* Based on clean filters.

## Equipment Options

- Acoustical Booth
- Galvanized Booth
- Fans (low flow)
- Control Panels
- Inlets
- Afterfilters
- Ultra-Web® FR, Fibra-Web® FR, Ultra-Tek® and Torit-Tex™ filter cartridges

Donaldson  
Filtration Solutions

**INDUSTRIAL AIR SOLUTIONS, INC.**

**Toll Free (USA) 1-877-844-3293**

P.O. Box 90246 • Raleigh, NC 27675  
Raleigh 919-844-3293 • Fax 919-518-1667  
www.industrialairsolutions.com  
Email [info@industrialairsolutions.com](mailto:info@industrialairsolutions.com)

Significantly improve the performance of your collector with genuine Donaldson Torit replacement filters and parts.

Visit us at [www.industrialairsolutions.com](http://www.industrialairsolutions.com)

